

P 2 C L I N E

MULTISTAGE CENTRIFUGAL PUMP

The PC stands out as a double-stage horizontal centrifugal pump, primarily recognized for its capacity to deliver high flow rates with minimal power consumption. This compact and robust equipment constructed from cast iron, featuring inlets and outlets of the same diameter to optimized water flow. It is an ideal choice for transfers, HVAC systems and any application demanding significant water movement in a short timeframe.

Key Features

Constructed with cast iron and treated with anti-corrosion.

Features a double closed brass impeller.

Equipped with SIC/GRAPHITE Mechanical Seal.

Operates at 3500rpm 60hz IE3 IP55 Three Phase Motors.

Power ranges from 1.5HP to 7.5HP.

Flow rates up to 317gpm and Heads up to 72ft.

Suitable for continuous use.

Available up to 25hp (upon request).

Handles liquid temperature from °F14 to °F248.

Operates in ambient temperature range from °F14 to °F122.

Specifically designed for pumping clean water, free from abrasive particles and/ or aggressive components.

This pump is highly recommended for various high-flow applications such as flood and spray irrigation, large reservoir water withdrawal, industrial processes, water transfers, and any other scenarios requiring substantial volume capacity.

PERFORMANCE TABLES

P 2 C L I N E

MULTISTAGE CENTRIFUGAL PUMP

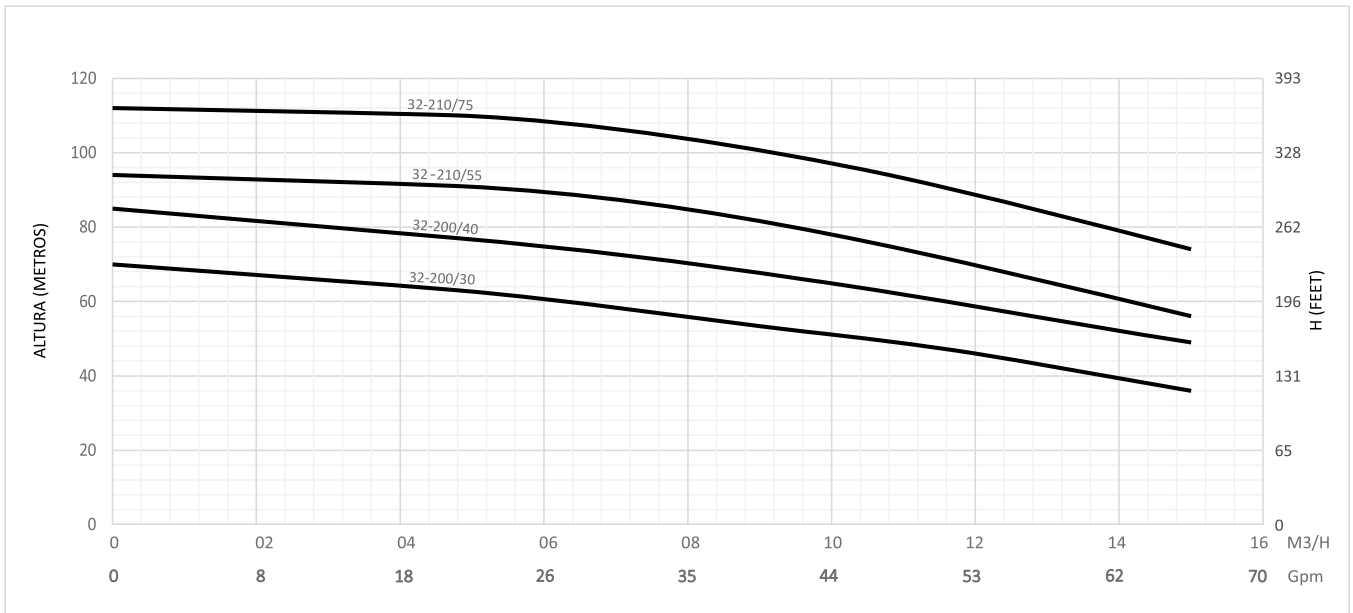
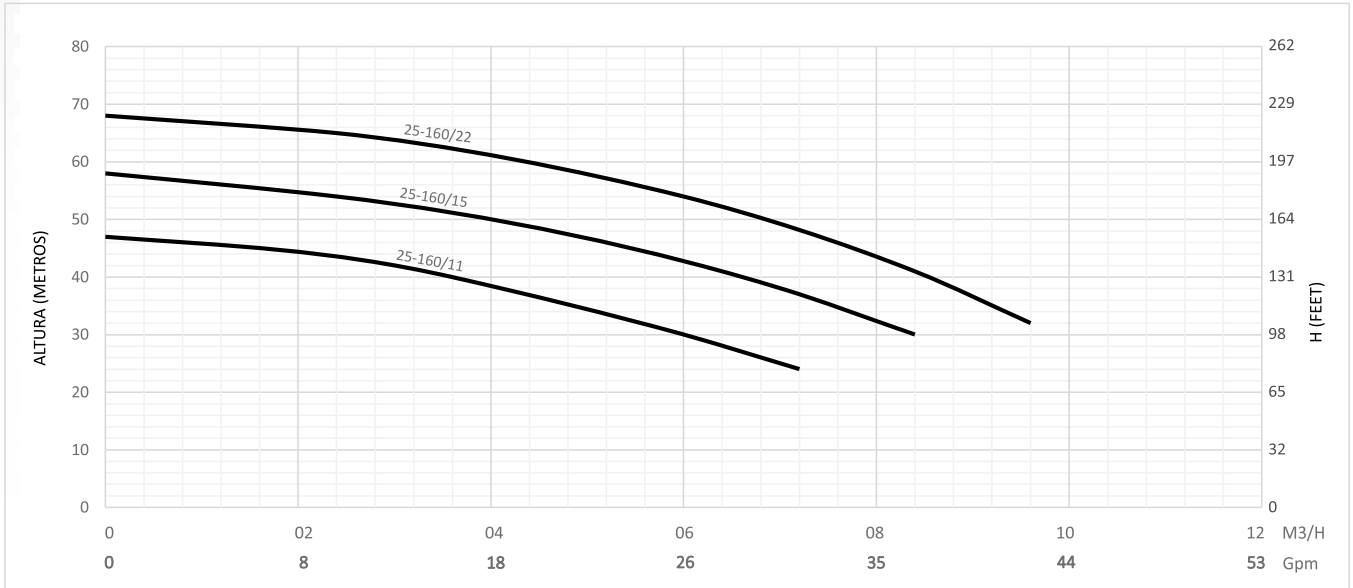
MODEL	Inlet	Outlet	HP	Kw	RPM	Volt	Amp	Frec (Hz)	IP	Ph	Gpm	0.0	21.1	26.4	31.7	42.2	47.5	52.8	66.0
P2C/m 32-200/30	1 1/2"	1 1/4"	4	3.0	3500	220	10.4	60	55	1	H (ft)	230	207	197	187	171	161	151	118
P2C 32-200/30						230/400	9,9/5,7			3									
P2C 32-200/40	1 1/2"	1 1/4"	4	5.5	3500	230/400	12,9/7,4	60	55	3	H (ft)	279	253	246	236	216	203	190	161
P2C 32-210/55	2"	1 1/4"	7.5	5.5	3500	230/400	17,5/10,1	60	55	3	H (ft)	308	298	292	279	259	246	230	184
P2C 32-210/75	2"	1 1/4"	7.5	10.2	3500	230/400	23,8/13,7	60	55	3	H (ft)	367	361	354	344	325	308	292	243



PERFORMANCE CURVES

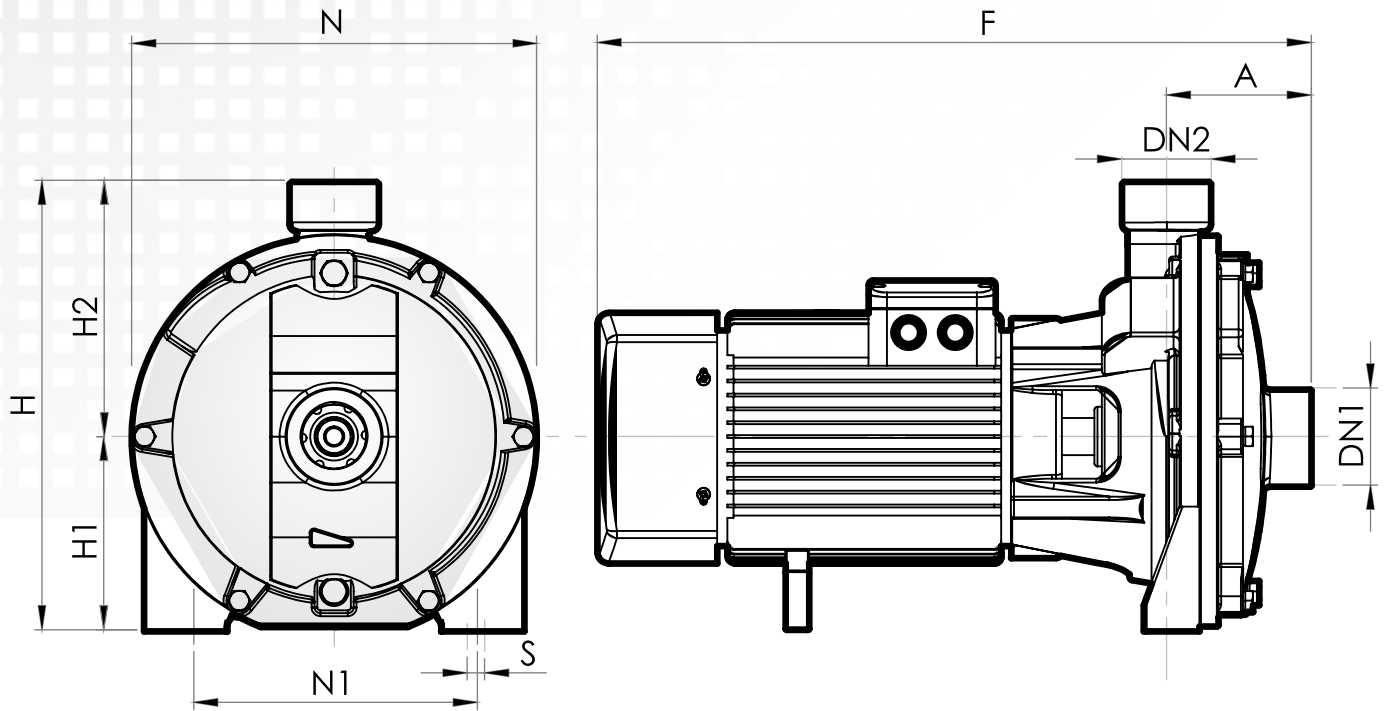
P 2 C L I N E

MULTISTAGE CENTRIFUGAL PUMP

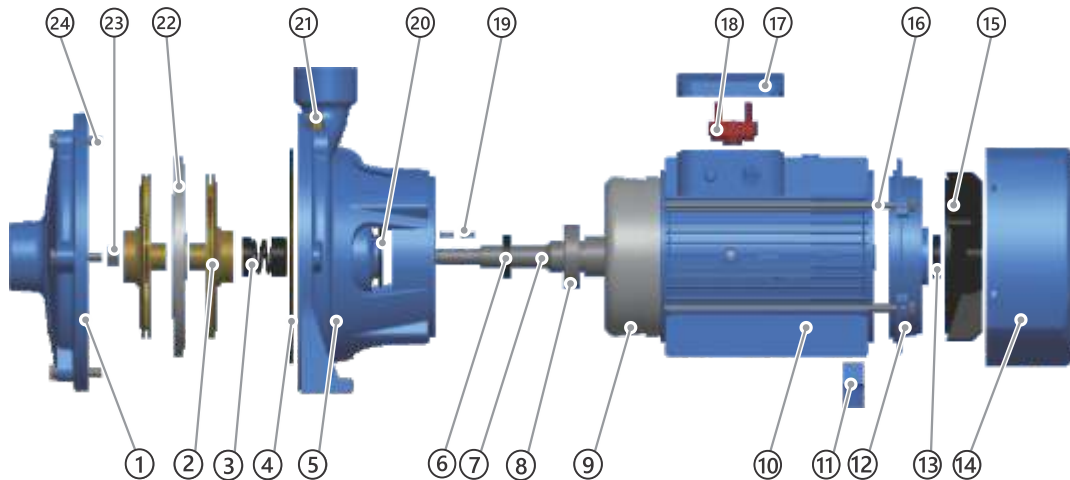


TECHNICAL DATA

P 2 C L I N E
MULTISTAGE CENTRIFUGAL PUMP



	DN1	DN2	A	F	H	H1	H2	N	N1	W	S	Net Weight
P2C 25-160/11	1 1/4"	1"	3,3"	16,5"	10,6"	4,3"	6,3"	8,9"	6,8"	0,8"	0,4"	41,5lb
P2Cm 25-160/11	1 1/4"	1"	3,3"	16,5"	10,6"	4,3"	6,3"	8,9"	6,8"	0,8"	0,4"	43,7lb
P2C 25-160/15	1 1/4"	1"	3,3"	16,5"	10,6"	4,3"	6,3"	8,9"	6,8"	0,8"	0,4"	51,1lb
P2Cm 25-160/15	1 1/4"	1"	3,3"	16,5"	10,6"	4,3"	6,3"	8,9"	6,8"	0,8"	0,4"	53,4lb
P2C 25-160/22	1 1/4"	1"	3,3"	16,5"	10,6"	4,3"	6,3"	8,9"	6,8"	0,8"	0,4"	53,8lb
P2Cm 25-160/22	1 1/4"	1"	3,3"	16,5"	10,6"	4,3"	6,3"	8,9"	6,8"	0,8"	0,4"	56,2lb
P2C 32-200/30	1 1/2"	1 1/4"	4"	19,9"	12,5"	5,2"	7,3"	11"	8"	0,6"	0,6"	83,8lb
P2Cm 32-200/30	1 1/2"	1 1/4"	4"	19,9"	12,5"	5,2"	7,3"	11"	8"	0,6"	0,6"	86lb
P2C 32-200/40	1 1/2"	1 1/4"	4"	19,9"	12,5"	5,2"	7,3"	11"	8"	0,6"	0,6"	95lb
P2C 32-210/55	2"	1 1/4"	4,3"	22,2"	13,8"	6,1"	7,8"	11,8"	9,7"	0,6"	0,6"	119lb
P2C 32-210/75	2"	1 1/4"	4,3"	22,2"	13,8"	6,1"	7,8"	11,8"	9,7"	0,6"	0,6"	134,5lb



ITEM	PART NAME	MATERIAL	ITEM	PART NAME	MATERIAL
1	Pump Case	Cast Iron	13	Reinforced Seal	NBR
2	Impeller	Brass	14	Fan Cover	Aluminium
3	Mechanical Seal	Sic/ Graphite	15	Fan	Plastic
4	O-ring	NBR	16	Through Bolt	Galvanised steel
5	Connection	Cast Iron	17	Terminal Box	Assembly
6	Reinforced Seal	NBR	18	Terminal Board	Plastic
7	Shaft	Stainless Steel	19	Impeller key	Stainless Steel
8	Bearing	NSK	20	Walter Deflector	Rubber
9	Wound Stator/Rotor	Cooper	21	Realease Valve	Brass
10	Motor Case	Aluminium	22	Diffuser	Cast Iron
11	Support foot	Plastic	23	Impeller Nut	Galvanised steel
12	Back Cover	Cast Iron	24	Connection Bolt	Galvanised steel

DOUBLE BRASS IMPELLER





NSK BEARINGS
Assures a longer engine life.
Crafted from High-quality, high-strength heat-treated carbon steel.
Shielded dustproof.



COPPER WINDING
Exhibits high efficiency.
Provides optimum power and long durability.
Resistant to High temperature.
Boast anti corrosion properties

SIC/GRAPHITE MECHANICAL SEAL
Resistant to High temperature.
Boast anti corrosion properties
Composed of SS304 material.
Ensures excellent sealing for enhanced performance



HIGH PRECISION ROTOR
Perfect concentricity for optimal operation.
Moisture-proof and rust-proof surface treatment.
SS304 shaft anti-corrosion.

