

BAT PRO VX SERIES

VORTEX SEWAGE PUMP

BAT PRO VX series, especially recommended for pumping wastewater containing fibers. Thanks to its Vortex impeller with cutting capabilities, it facilitates the pumping of water loaded with filamentary bodies. Constructed from cast iron, these pumps strike a perfect balance between practicality and robustness, making them ideal for both domestic and intensive use with outstanding hydraulic performance.

Key Features

Built in HT250 cast iron.

VORTEX type impeller with 48HR alloy cut.

Motors 3500rpm 60hz - IE3 - IP68 - Class F.

Available in power ranges from 2HP to 7.5HP.

Flows up to 396gpm and Heights up to 85ft.

Available up to 40HP (On request).

Equipped with SIC/GRAPHITE mechanical seal.

Maximum liquid temperature °F14 to F248.

Allows passage of solids up to 1 1/4".

Maximum immersion 33ft.

Flanged outlet/discharge.

Suitable for continuous use.

Highly recommended for various applications including industries, hotels, shops, treatment plants, sports clubs, agricultural sector, textile industry, residential facilities and more.



19591 NE 10th Ave - Miami, FL 33179 - BAY F & G

(786) 233-4203

www.schraiberpumpusa.com

sales@schraiberpumpusa.com

PERFORMANCE TABLES

BAT PRO VX SERIES

VORTEX SEWAGE PUMP

MODEL	Solid Passage	Outlet	Hp	Kw	Volt	Amp	Frec (Hz)	IP	Ph	RPM	Gpm	0.0	22.0	44.0	66.0	88.0	110.0	127.6	132.0	136.4
50WQV 15-15-1.5	1"	2"	2	1.5	230	5.3	60	68	3	3500	Alt (ft)	66	61	54	49	42	32	23		

MODEL	Solid Passage	Outlet	Hp	Kw	Volt	Amp	Frec (Hz)	IP	Ph	RPM	Gpm	0.0	22.0	66.0	88.0	110.0	132.0	154.0	198.0	242.0
80WQV 45-9-2.2	1 1/4"	3"	3	2.2	230	7.6	60	68	3	3500	Alt (ft)	75	69	59	55	50	46	40	29	16
80WQV 43-13-3	1 1/4"	3"	4	3.0	230	9.9	60	68	3	3500	Alt (ft)	79	76	70	66	59	58	53	39	20

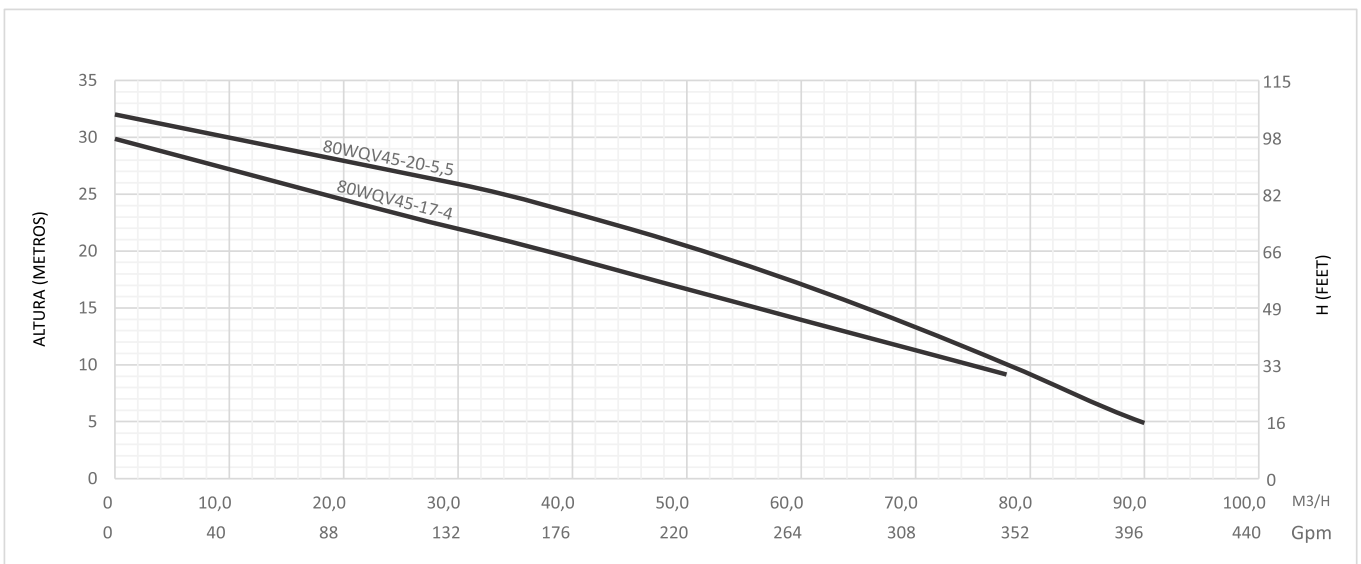
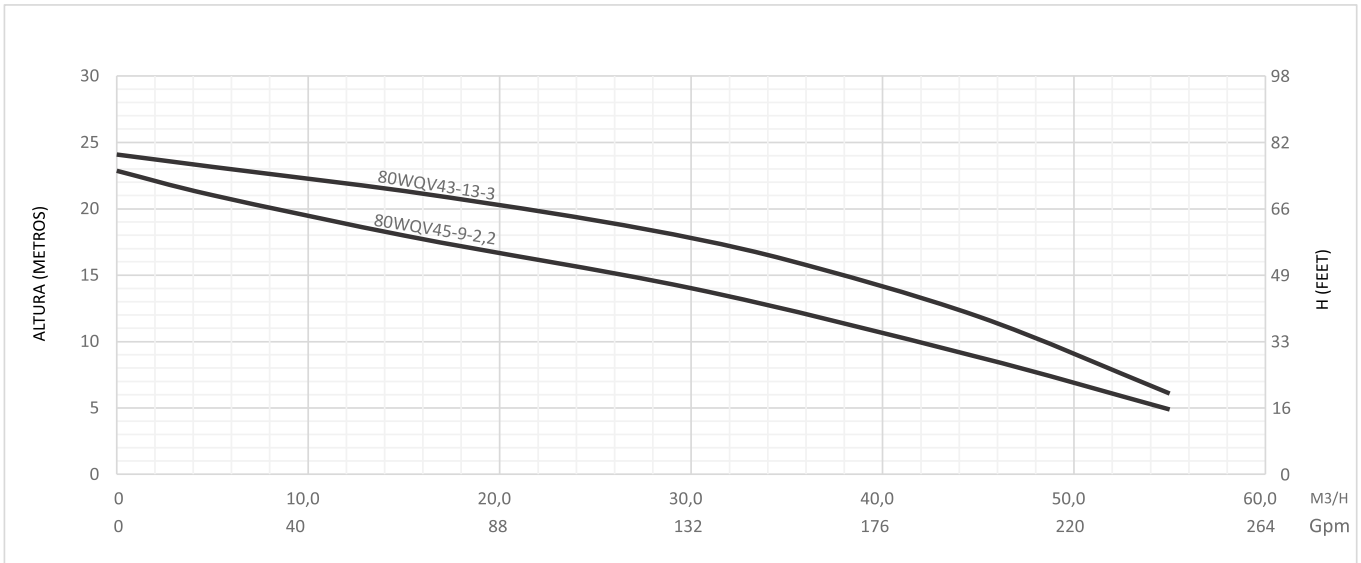
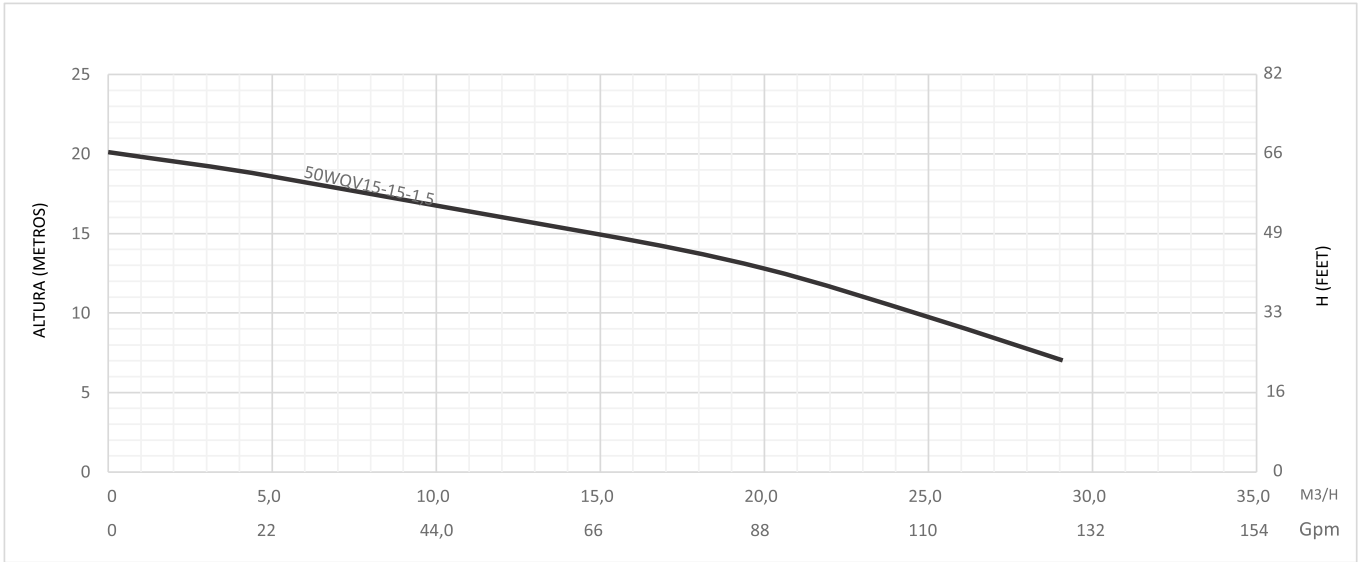
MODEL	Solid Passage	Outlet	Hp	Kw	Volt	Amp	Frec (Hz)	IP	Ph	RPM	Gpm	0.0	132.0	158.4	198.0	237.6	264.0	343.2	369.6	396.0
80WQV 45-17-4	1 1/4"	3"	5.5	4.0	230	12.9	60	68	3	3500	Alt (ft)	98	72	70	59	51	46	30		
80WQV 45-20-5.5	1 1/4"	3"	7.5	5.5	230	17.5	60	68	3	3500	Alt (ft)	105	85	81	72	64	56	33	23	16

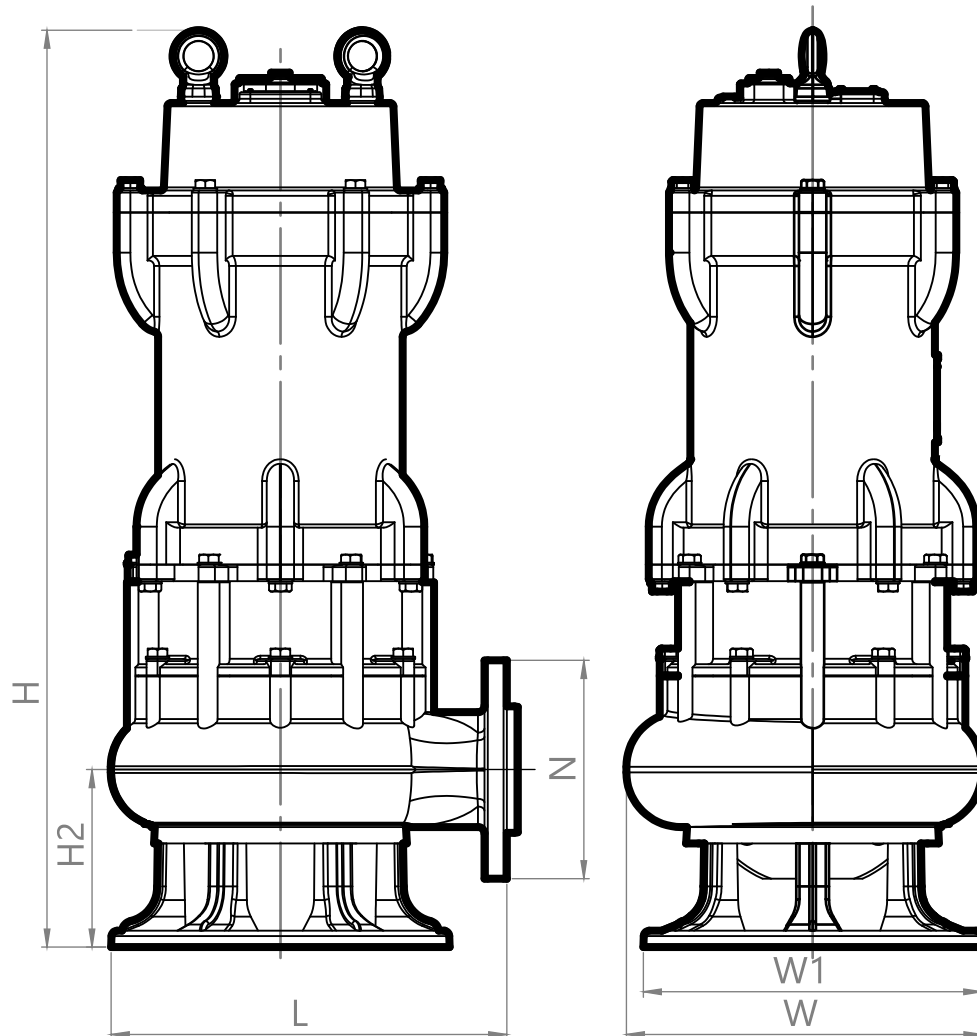


PERFORMANCE CURVES

BAT PRO VX SERIES

VORTEX SEWAGE PUMP





	N	W1	H	H2	W	L	Net Weight
50WQV15-15-1,5	1 1/2"	7"	20,9"	3,7"	7,1"	8,3"	69.4lb
80WQV45-9-2,2	2 1/2"	8,7"	24,3"	4,7"	8,9"	10,8"	90.4lb
80WQV43-13-3	2 1/2"	8,7"	25,7"	4,7"	8,9"	10,8"	97.0lb
80WQV45-17-4	2 1/2"	26,6"	12,2"	11,8"	10"	4,8"	110.2lb
80WQV45-20-5,5	2 1/2"	25,4"	12,2"	13,6"	11,4"	6,8"	143.3lb

EFFICIENCY, PERFORMANCE AND RELIABILITY.

Boasting an advanced design, a robust vortex type drive system with cutting capacity simplifies the pumping of wastewater loaded with filamentary substances.



CHARACTERISTICS AND USES

BAT PRO V X SERIES

VORTEX SEWAGE PUMP



NSK BEARINGS

Assures a longer engine life. Crafted from High-quality, high-strength heat-treated carbon steel. Shielded dustproof.

SIC/GRAPHITE MECHANICAL SEAL

Resistant to High temperature. Boast anti corrosion properties. Composed of SS304 material. Ensures excellent sealing for enhanced performance



COPPER WINDING

Exhibits high efficiency. Provides optimum power and long durability. Resistant to High temperature.

HIGH PRECISION ROTOR

Perfect concentricity for optimal operation. Moisture-proof and rust-proof surface treatment. SS304 anti corrosion.



APPLICATIONS

Highly recommended for various applications including industries, hotels, shops, treatment plants, sports clubs, agricultural sector, textile industry, residential facilities and more.