

CB LINE

4" DEEP WELL PUMP

BODY

304 Stainless steel shaft.

Stainless steel body pump.

Cast iron inlet and outlet.

Polypropylene floating impellers with polycarbonate heads.

Built in non-return valve



19591 NE 10th Ave - Miami, FL 33179 - BAY F & G

(786) 233-4203

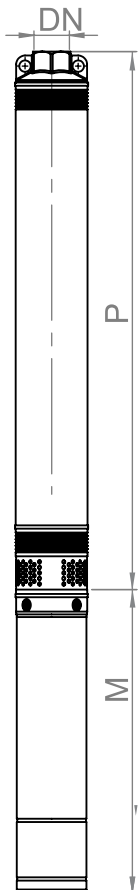
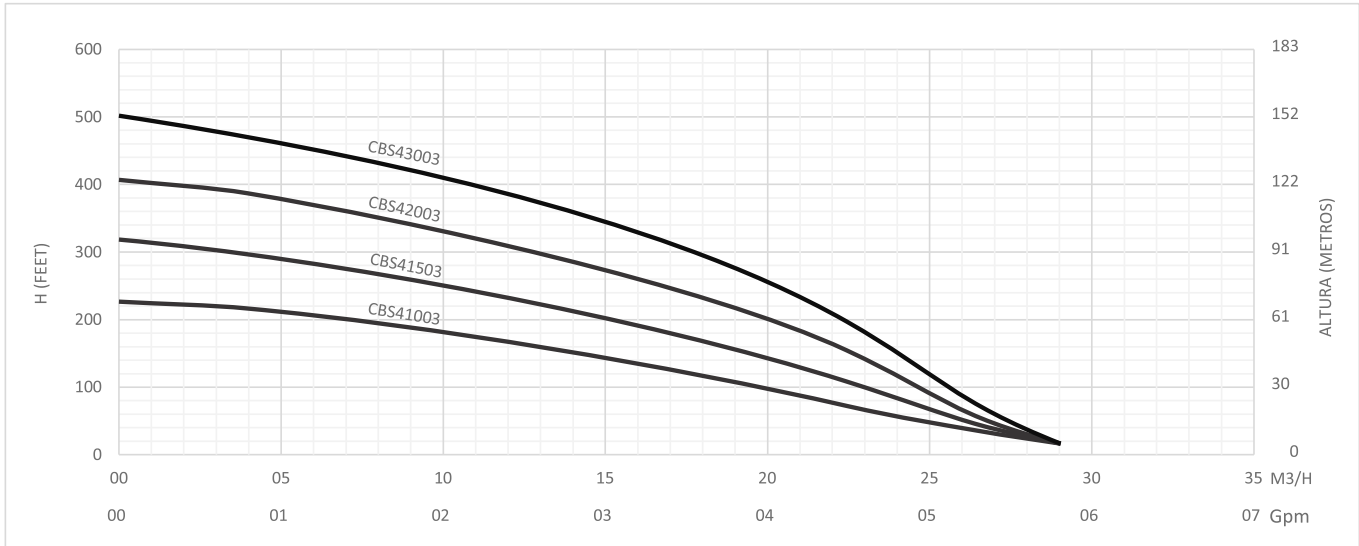
www.schraiberpumpusa.com

sales@schraiberpumpusa.com

PERFORMANCE

CB 4 LINE
4" DEEP WELL PUMP

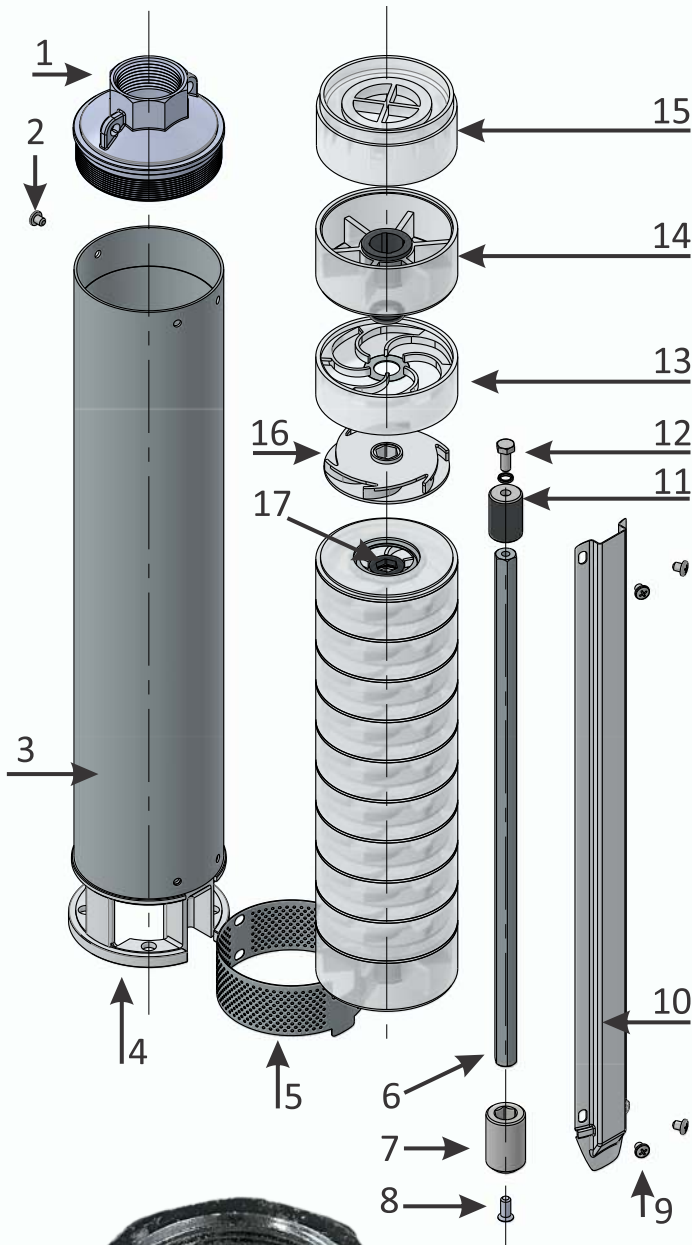
MODEL	Outlet	Hp	Impeller	Gpm	0.0	4.0	6.6	10.6	15.8	22.4	26.4	29.0
CB40503	1 1/4"	1/2	4	H (ft)	206.7	190.3	173.9	124.7	36.0			
CB41003	1 1/4"	1	7	H (ft)	226	217	197	164	151	72	36	16
CB41503	1 1/4"	1.5	10	H (ft)	318	302	272	236	207	108	46	16
CB42003	1 1/4"	2	13	H (ft)	407	387	354	305	285	154	49	16
CB43003	1 1/4"	3	18	H (ft)	502	472	423	384	354	197	66	16



MODEL	DN	P	M
CBS40503	1.25"	15.8"	11"
CBS41003	1.25"	20.4"	13.4"
CBS41503	1.25"	26.4"	15"
CBS42003	1.25"	30.9"	16.9"
CBS43003	1.25"	36.9"	19.3"

COMPONENTS

CB4 LINE
4" DEEP WELL PUMP



ITEM	PART NAME	MATERIAL
1	Outlet body	Cast Iron
2	Outlet bolt	Stainless Steel
3	Casing	Stainless Steel
4	Coupling flange	Cast Iron
5	Filtering mesh	Stainless Steel
6	Shaft	Stainless Steel
7	Fluted cup	Stainless Steel
8	Fluted cup bolt	Stainless Steel
9	Cable cover bolt	Stainless Steel
10	Cable cover	Stainless Steel
11	Stop bushing	Stainless Steel
12	Stop bushing bolt	Stainless Steel
13	Diffuser	Polycarbonate
14	Distributor	Polycarbonate
15	Check valve	Polycarbonate
16	Impeller	Polypropylene
17	Spacer washer	Polyamide



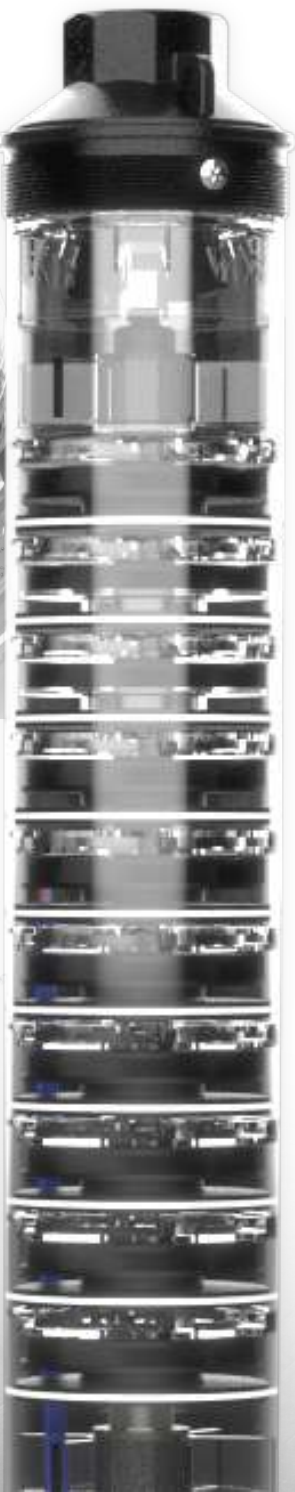
HIGH PERFORMANCE IMPELLER



POLYCARBONATE DIFFUSER

POLYPROPYLENE IMPELLER

POLYCARBONATE IMPELLER HOLDER



BUILT-IN CHECK VALVE

POLYCARBONATE CHECK- VALVE

