

FAUX LINE

WATER PRESSURE BOOSTER PUMP

Completely silent .

Submerged rotor for enhanced cooling and extended lifecycle.

Inlet and outlet 1".

Copper winding.

Noryl impeller.

Water cooling.

Double union ball valves for suction and discharge included.



19591 NE 10th Ave - Miami, FL 33179 - BAY F & G

(786) 233-4203

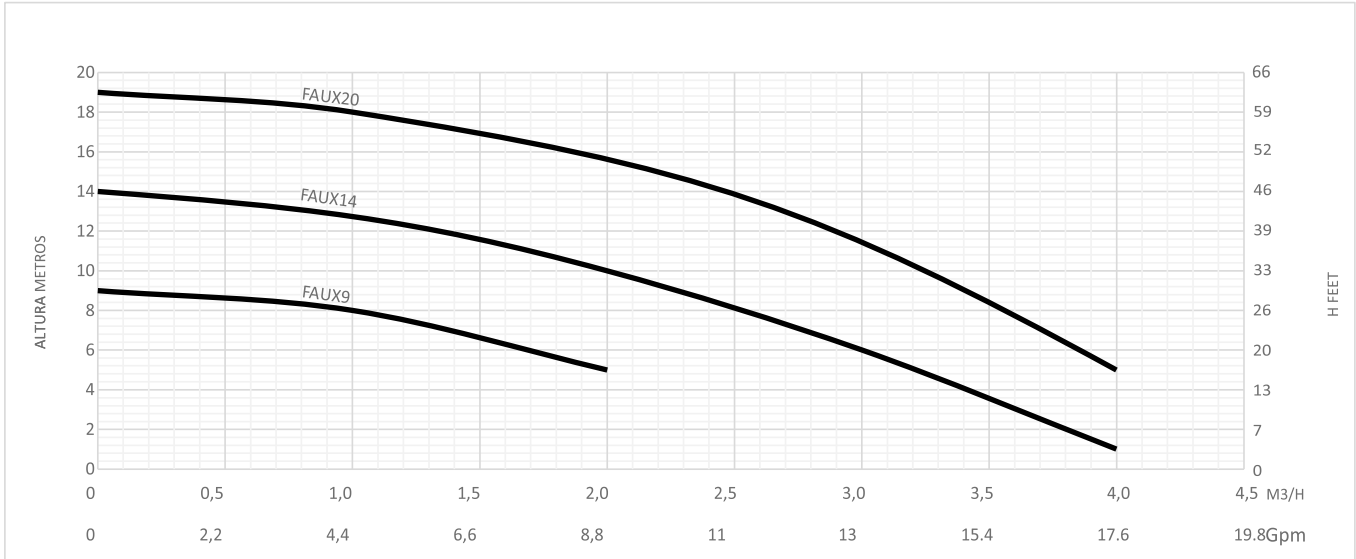
www.schraiberpumpusa.com

sales@schraiberpumpusa.com

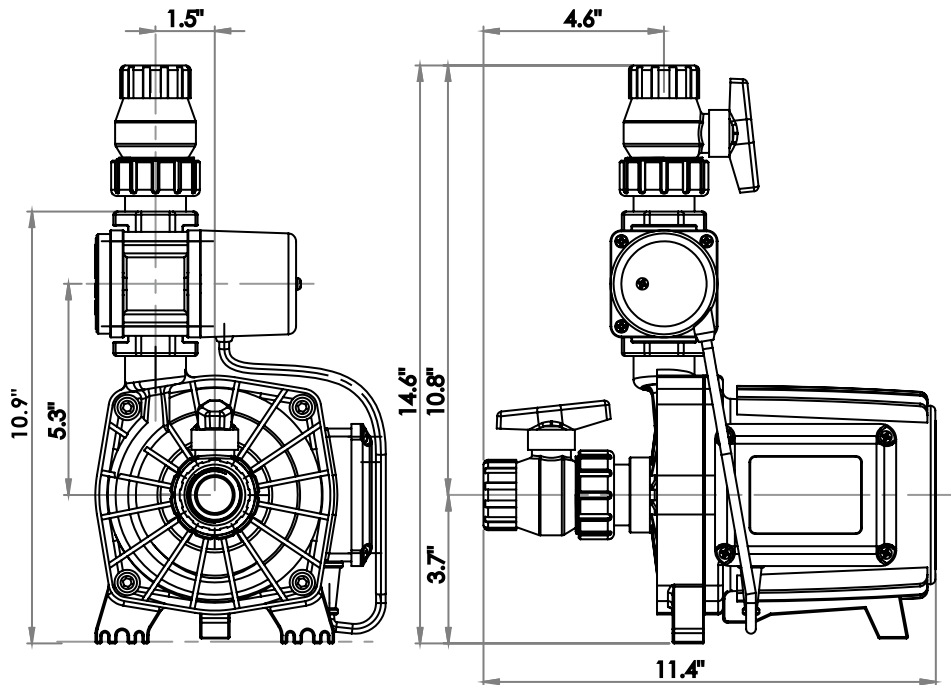
PERFORMANCE

FAUX LINE

WATER PRESSURE BOOSTER PUMP



MODEL	Bathrooms	Inlet	Outlet	Hp	Kw	Amp	Volt	Phase	Gpm	0.0	4.4	8.8	13.2	17.6
FAUX9	2	1"	1"	0.2	0.1	1.1	110	1PH	H (ft)	30	26	16		
FAUX14	3	1"	1"	0.3	0.2	1.4	110	1PH	H (ft)	46	43	33	20	3
FAUX20	4	1"	1"	0.5	0.4	2.1	110	1PH	H (ft)	62	59	49	39	16



DESCRIPTION

FAUX LINE

WATER PRESSURE BOOSTER PUMP

INLET 1".

DOUBLE UNION BALL VALVES
FOR DISCHARGE.



OUTLET 1".
DOUBLE UNION BALL VALVES FOR SUCTION
NORYL IMPELLER
WATER COOLING

ALUMINUM HOUSING
WITH ELECTROSTATIC PAINT



FAUX™ machine

*The sound
of water*

INCLUDES TWO DOUBLE UNION BALL
VALVES FOR SUCTION AND DISCHARGE.

DESIGNED
ASSEMBLED
AND TESTED

IN USA

